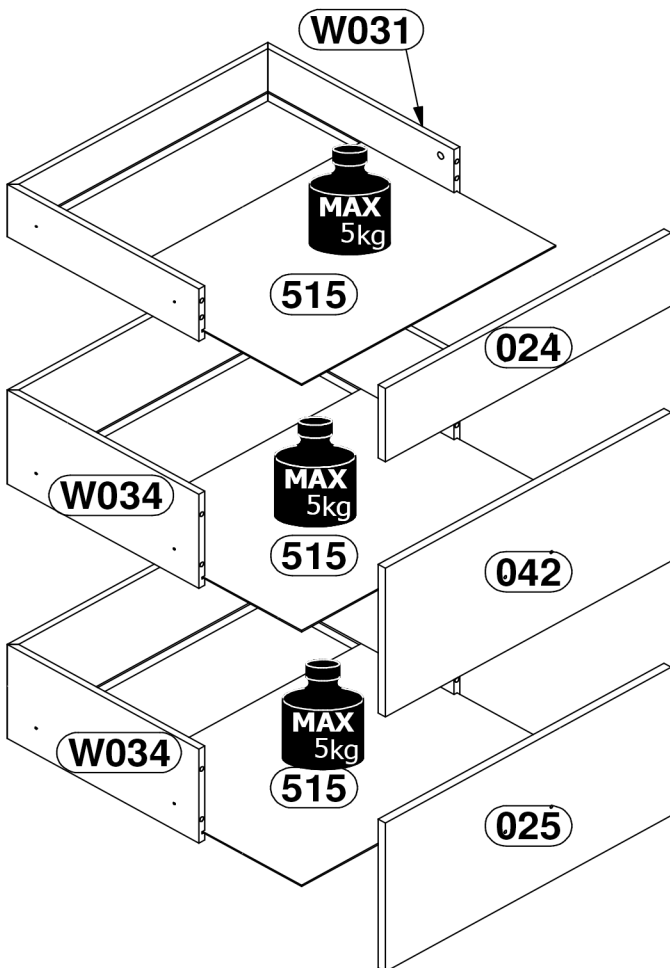
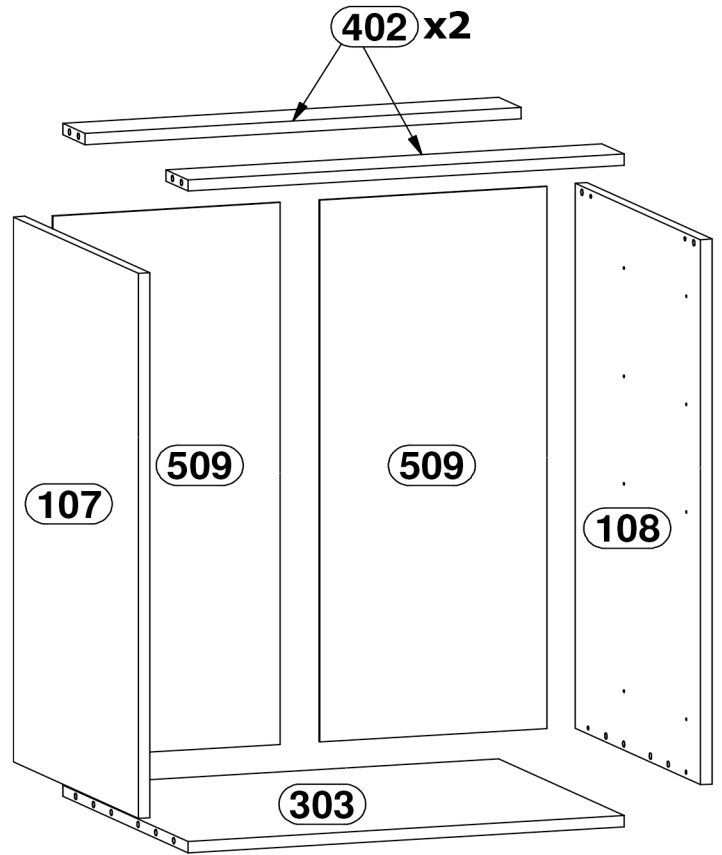
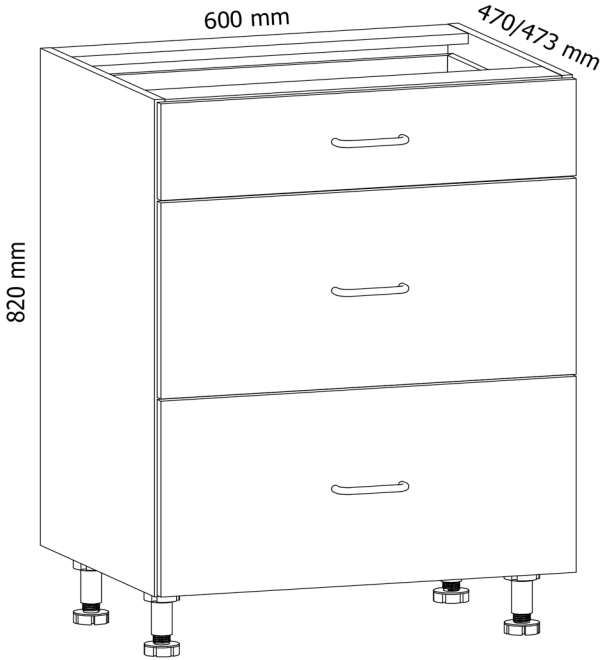


# D60S3

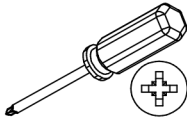
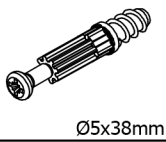
# S60/3SZ



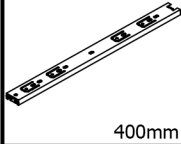
<b>A1</b> x 18  Ø8x35mm	<b>B1</b> x 14  Ø5x38mm	<b>C1</b> x 8  Ø15x12mm	<b>C2</b> x 6  Ø12x10mm	<b>G1</b> x 26  26mm
<b>H</b> x 1  715mm	<b>J</b> x 6  Ø21mm	<b>L1</b> x 4  Ø50x95mm	<b>Pc</b> x 6  400mm	<b>S3</b> x 3  400mm
<b>U</b> x 3 	<b>W1</b> x 24  Ø3,5x13mm	<b>W2</b> x 28  Ø3,5x16mm	<b>X</b> x 6 	

# 1

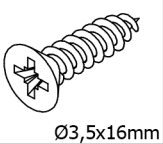
B1 x 8



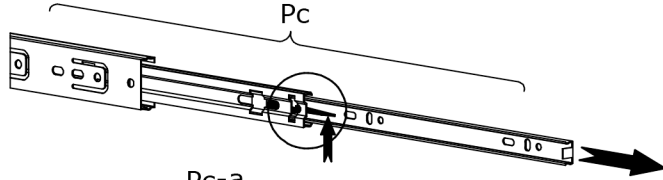
Pc x 6



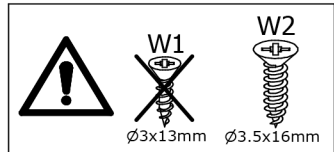
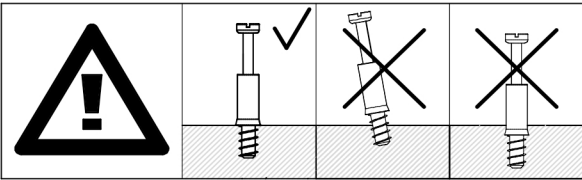
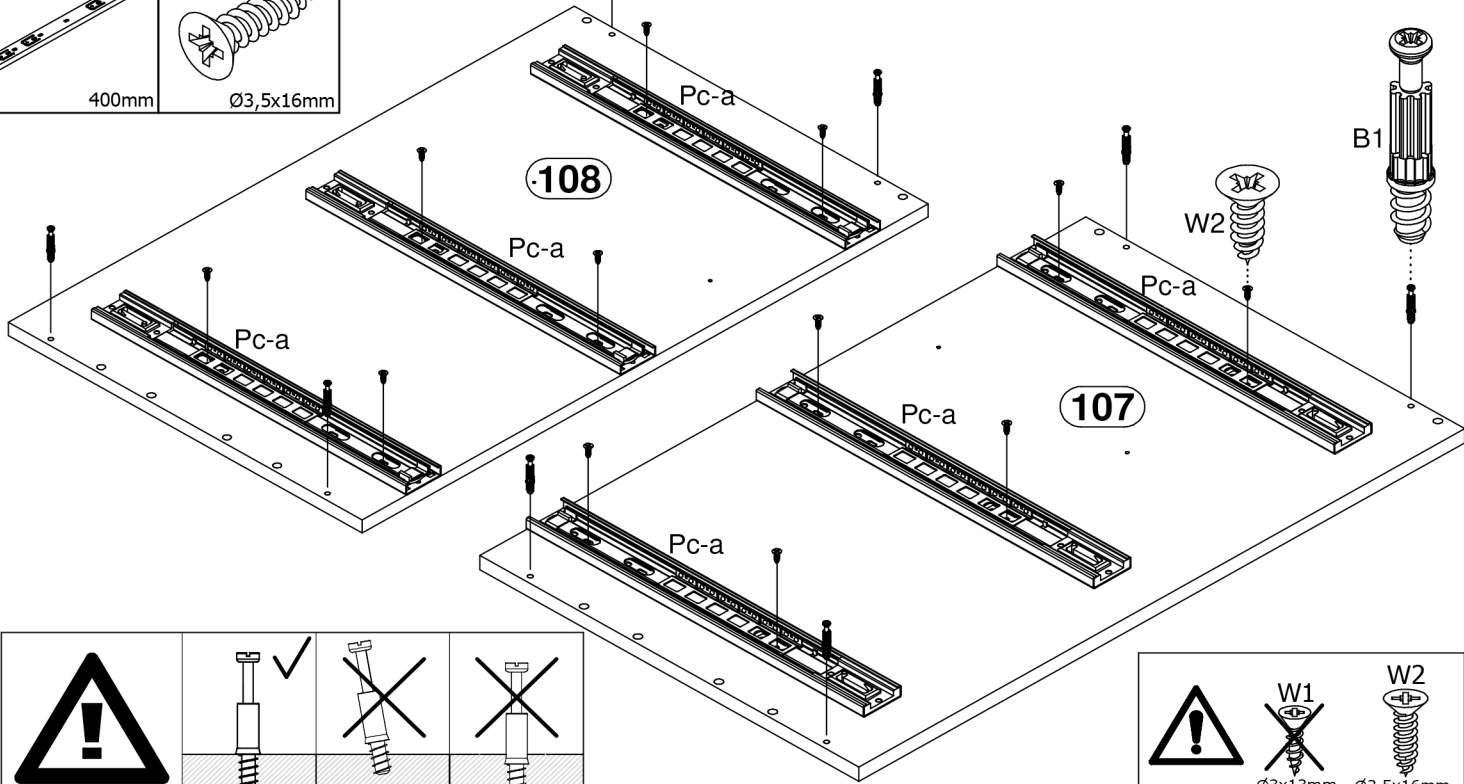
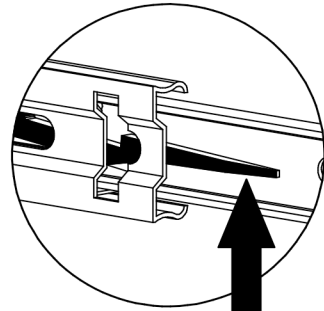
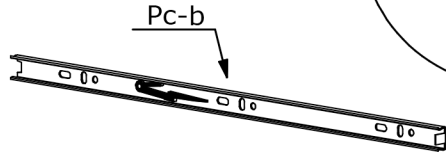
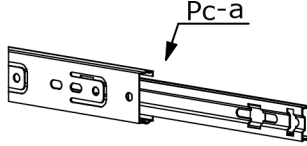
W2 x 12



I

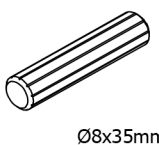


II

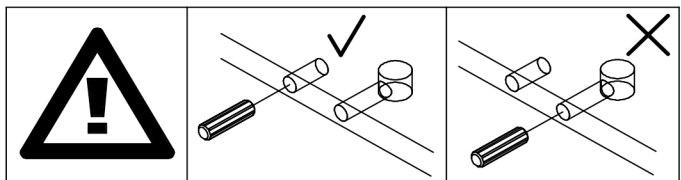
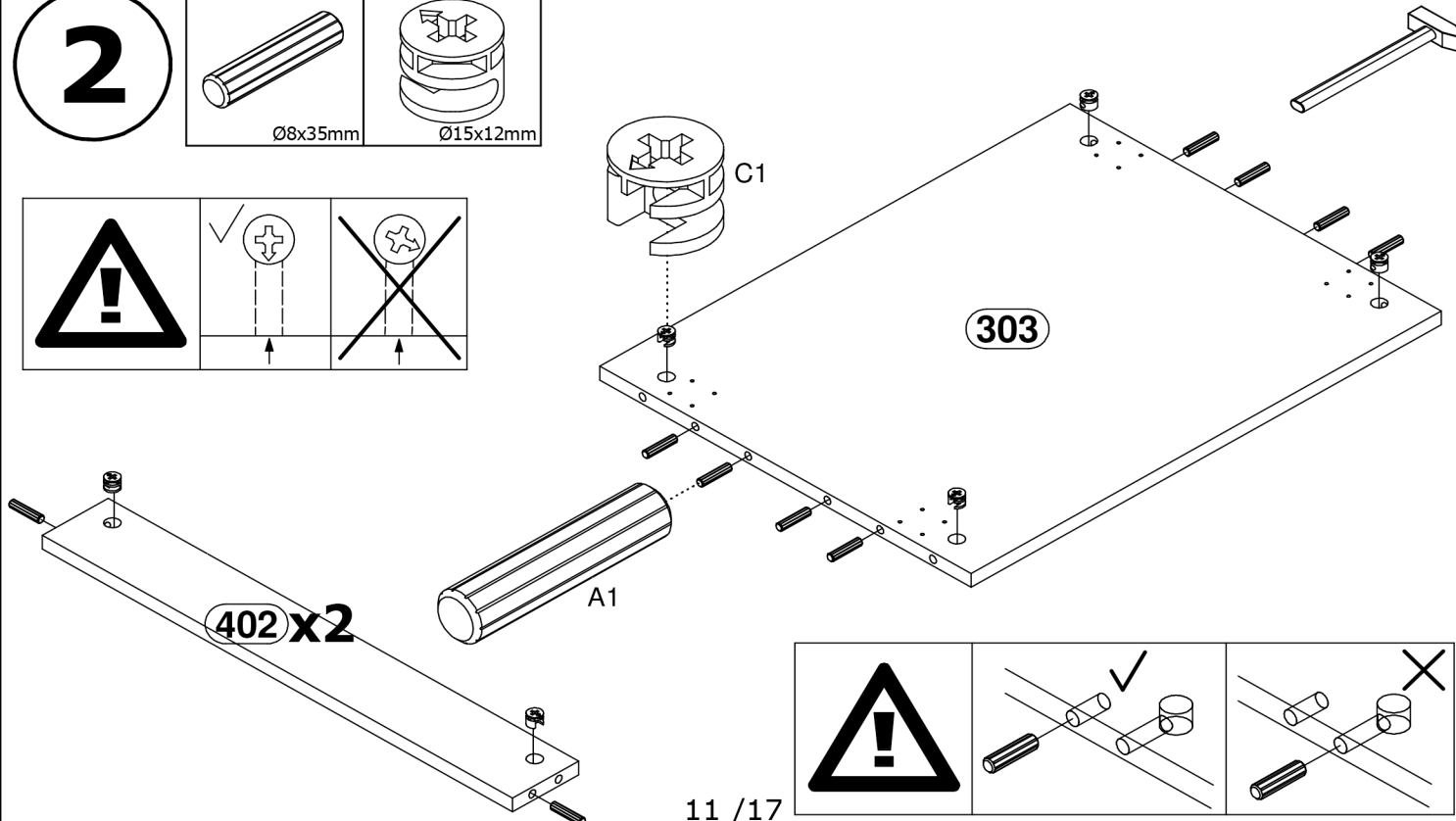
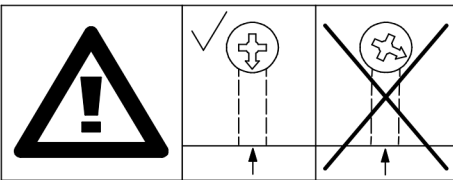
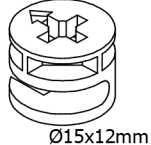


# 2

A1 x 12

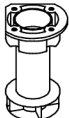


C1 x 8



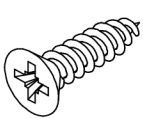
**3**

L1 x 4

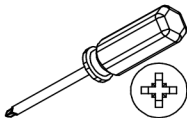


Ø50x95mm

W2 x 16



Ø3,5x16mm

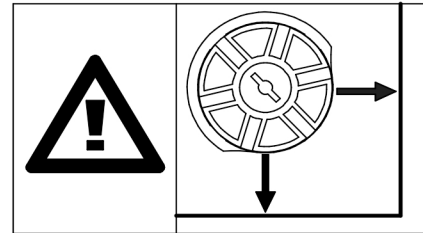
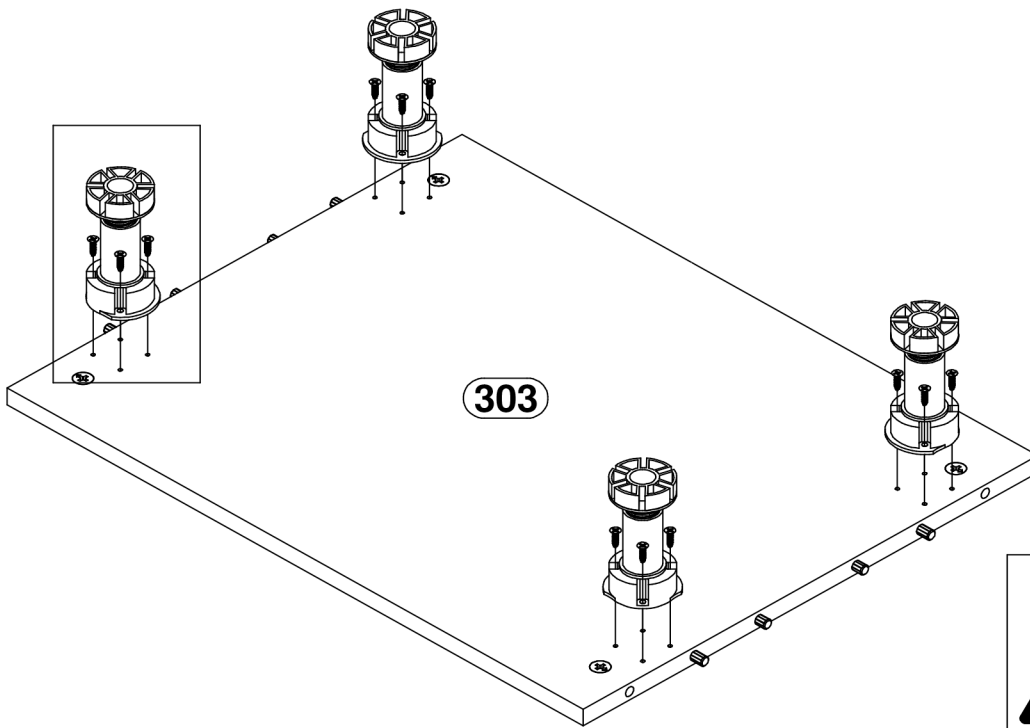
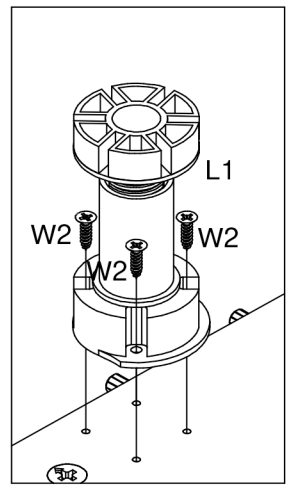


Ø3x13mm

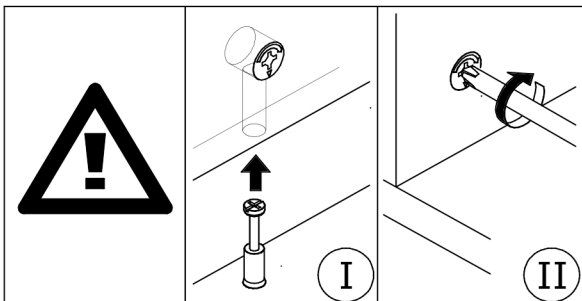
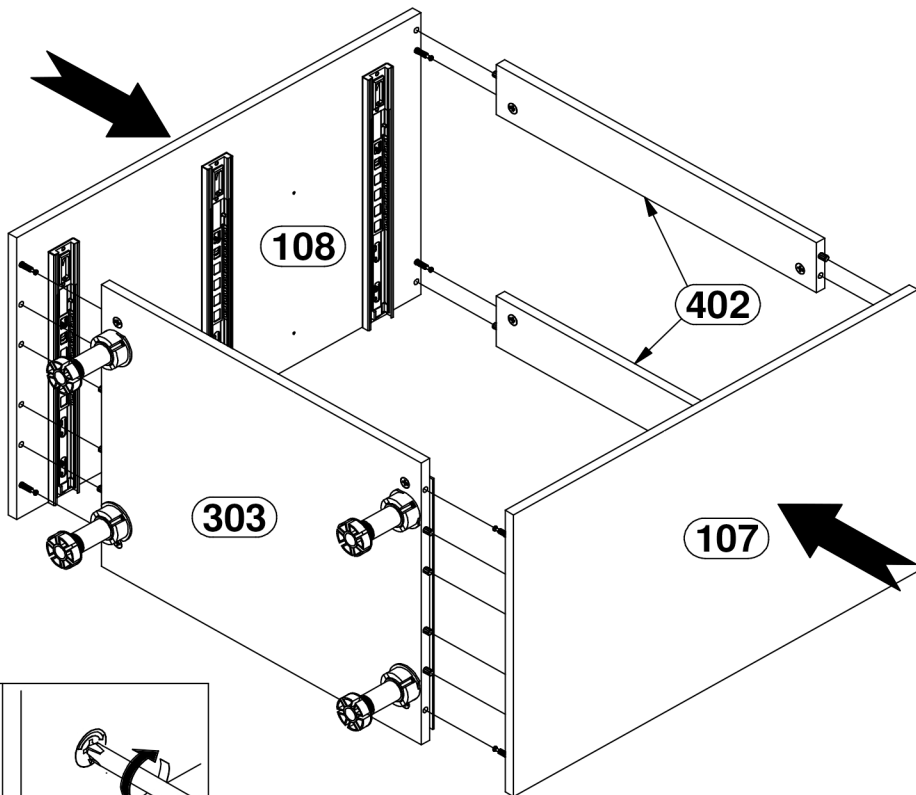
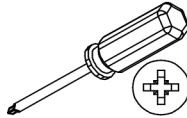
W2



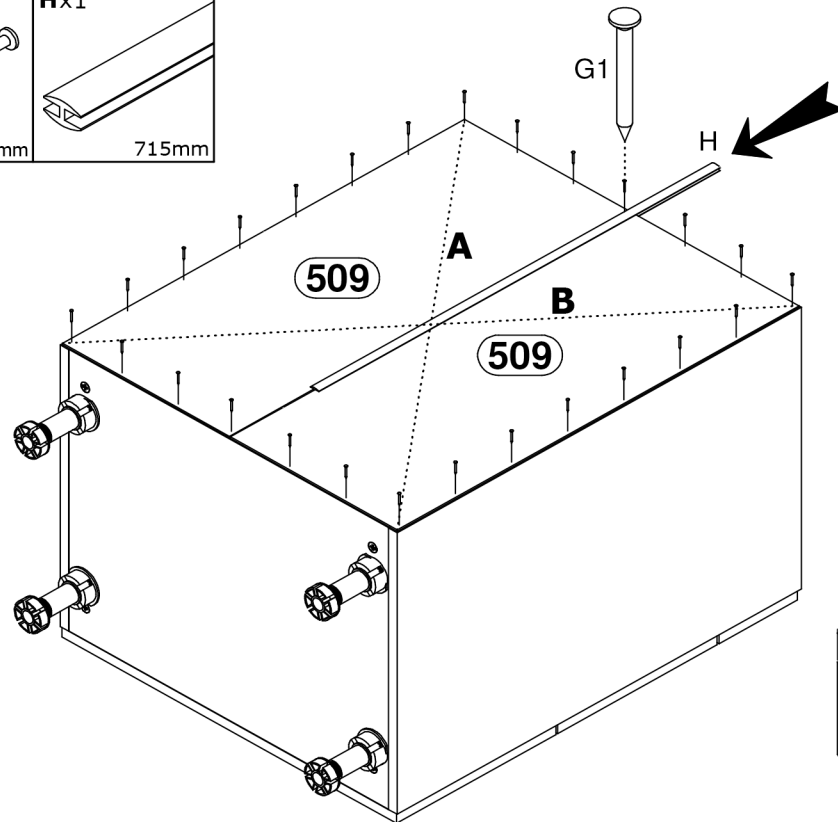
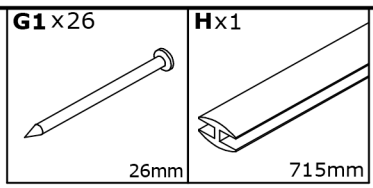
Ø3.5x16mm



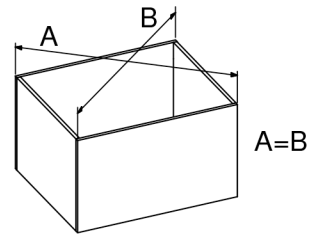
**4**



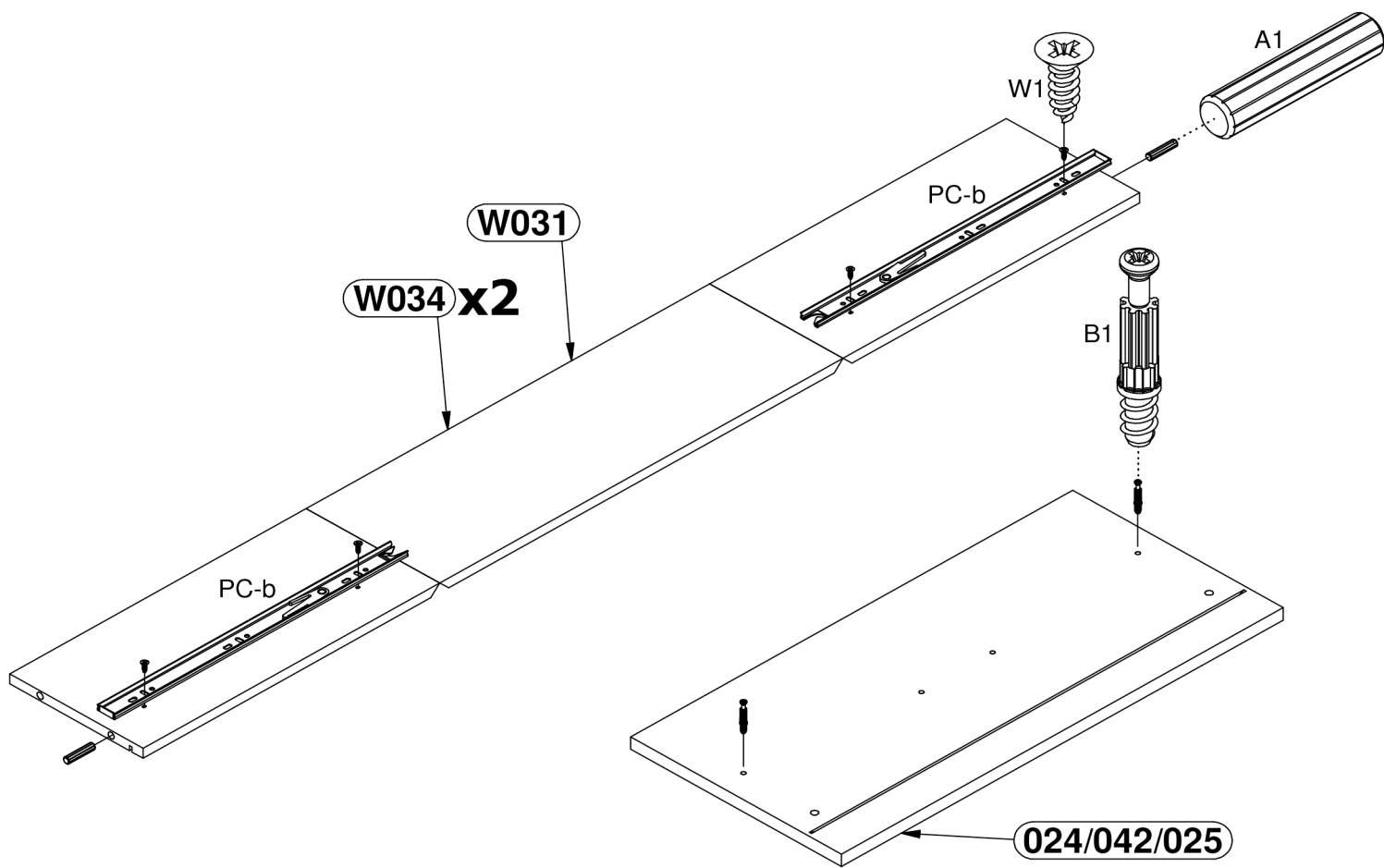
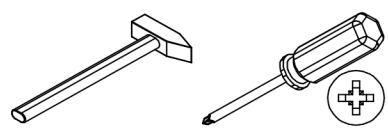
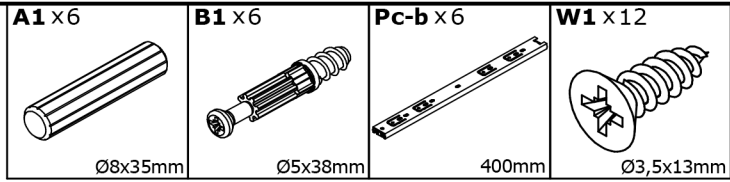
**5**



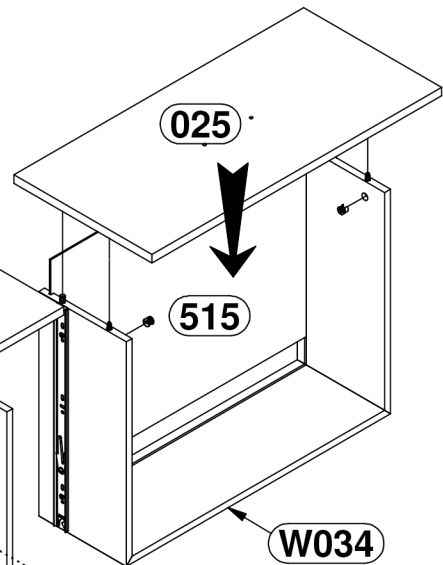
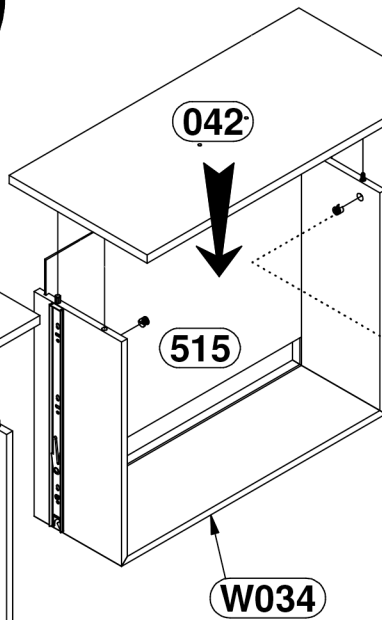
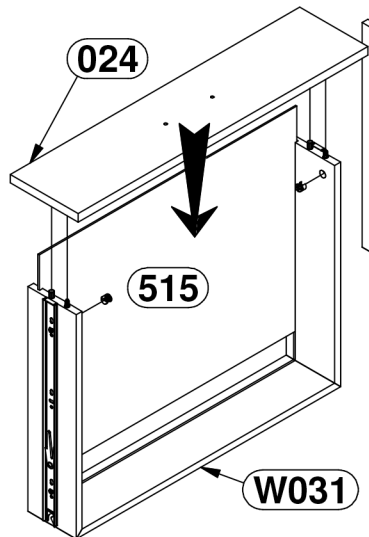
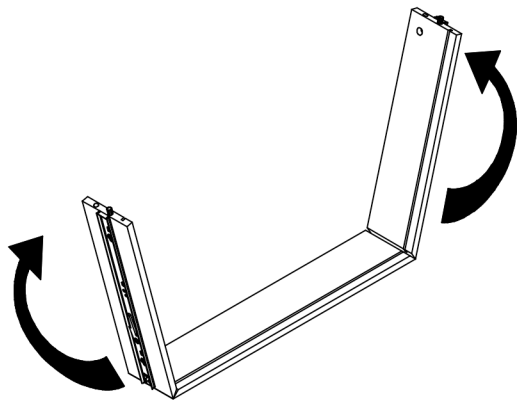
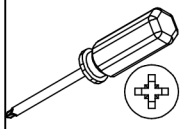
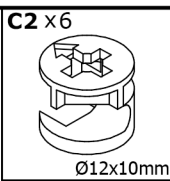
**!**  
**A=B ≡ 90°**



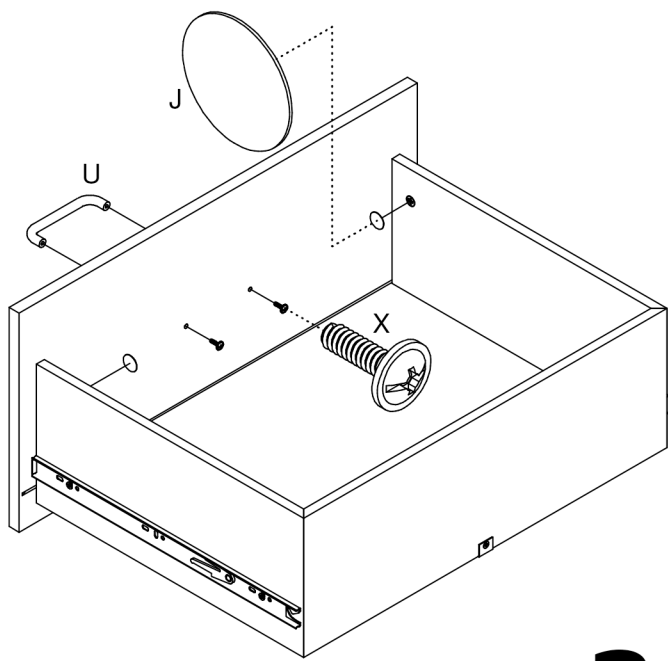
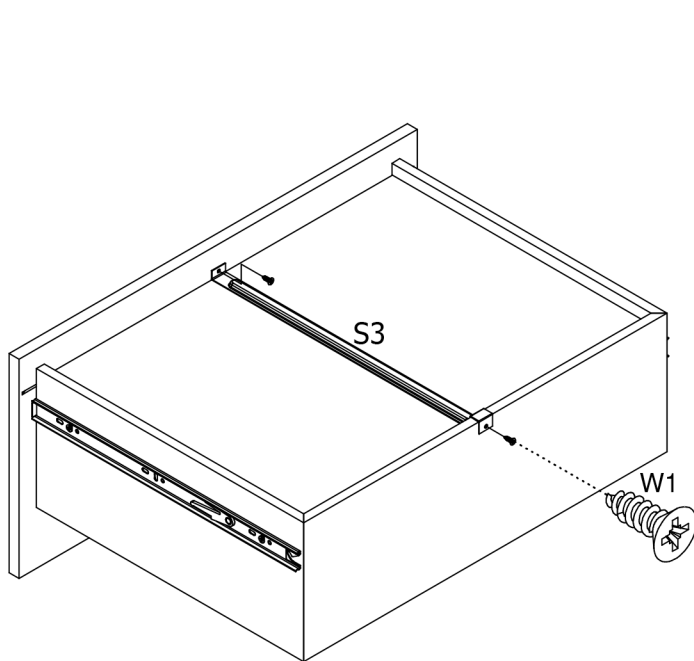
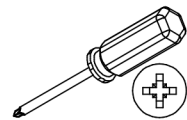
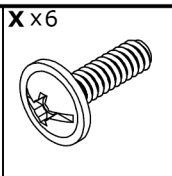
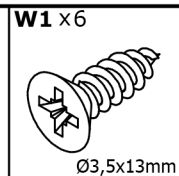
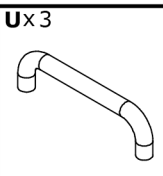
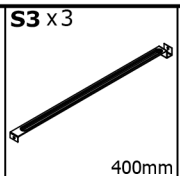
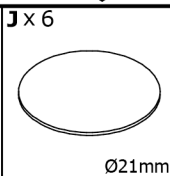
**6**



7

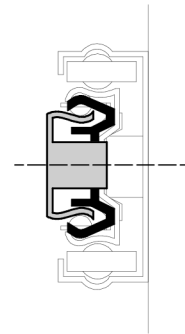
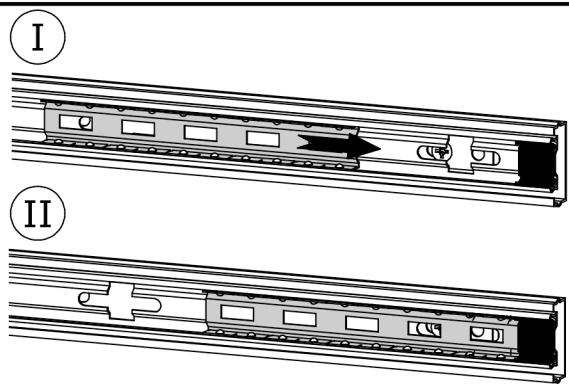
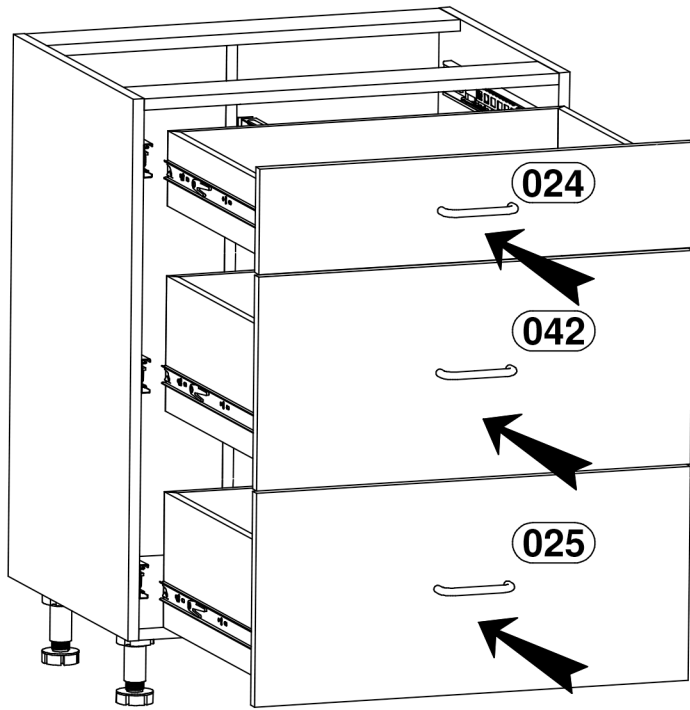


8

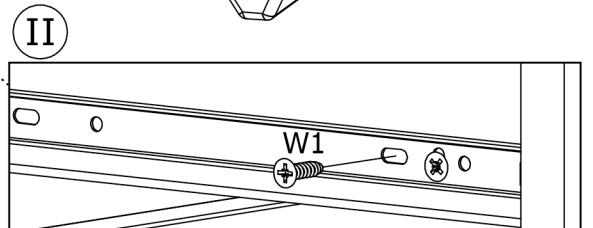
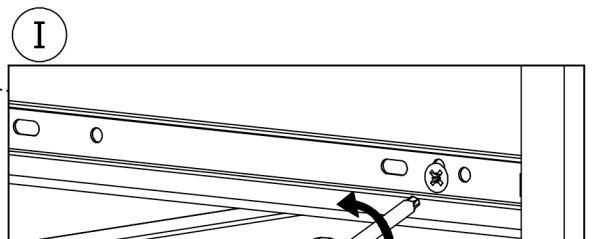
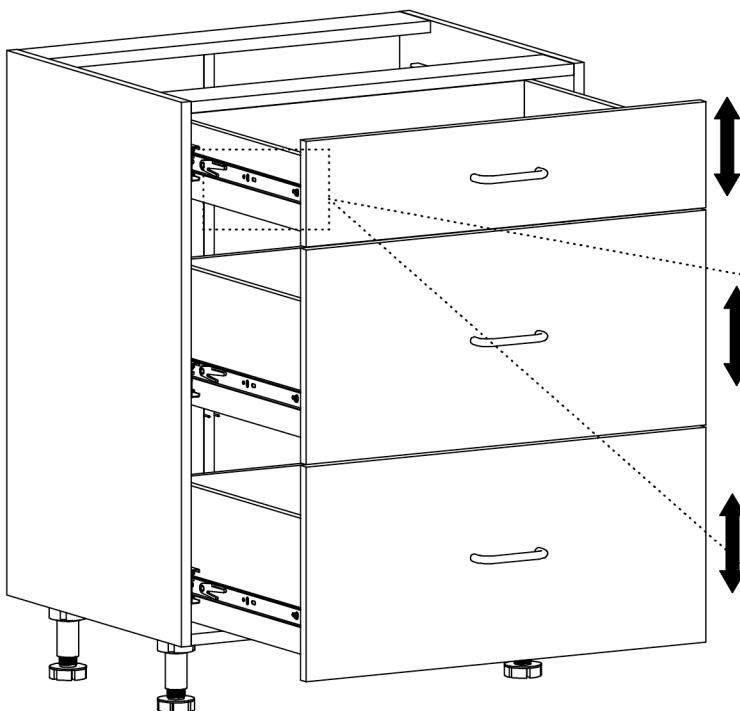
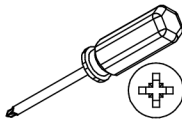
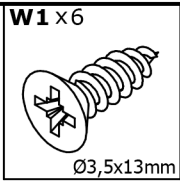


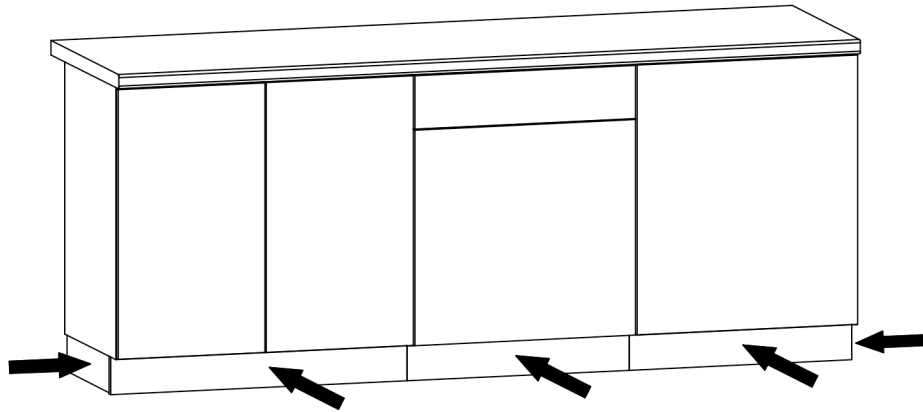
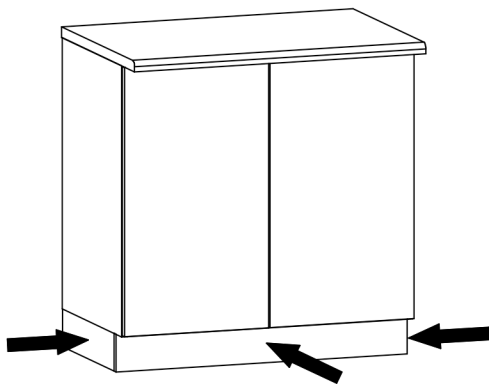
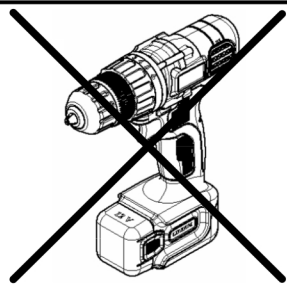
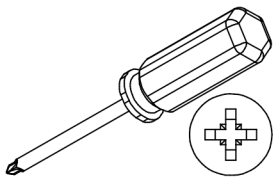
x3

9

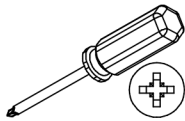


10

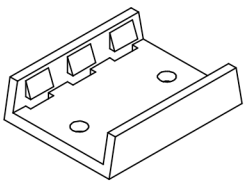




**C1**

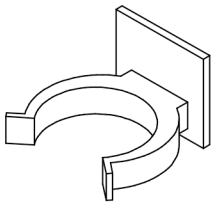


**L6-a** x4



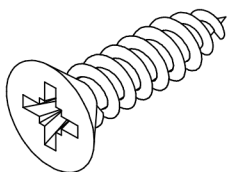
38x30x10mm

**L6-b** x4

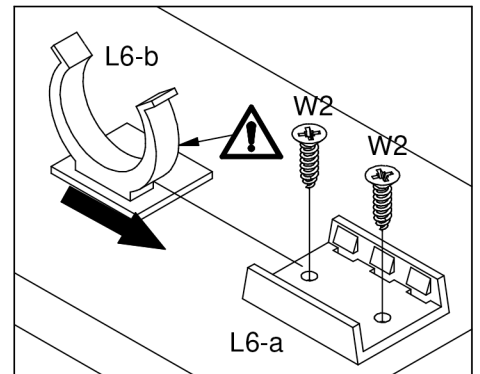
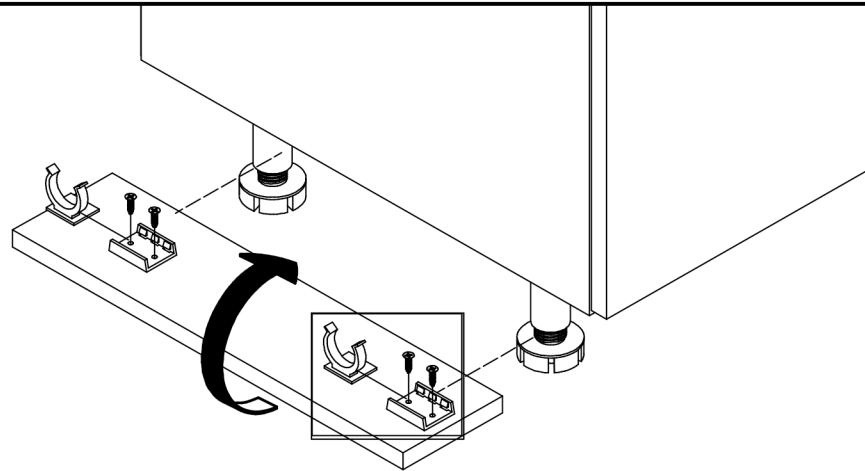


35x32x25mm

**W2** x8

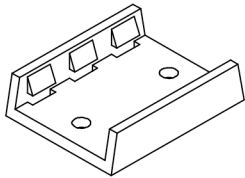


Ø3,5x16mm



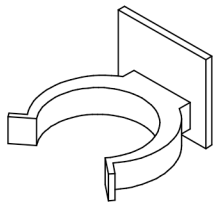
**C2**

**L6-a** x 2



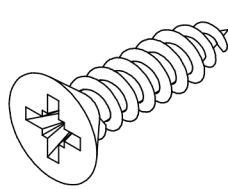
38x30x10mm

**L6-b** x 2



35x32x25mm

**W2** x 4



Ø3,5x16mm

